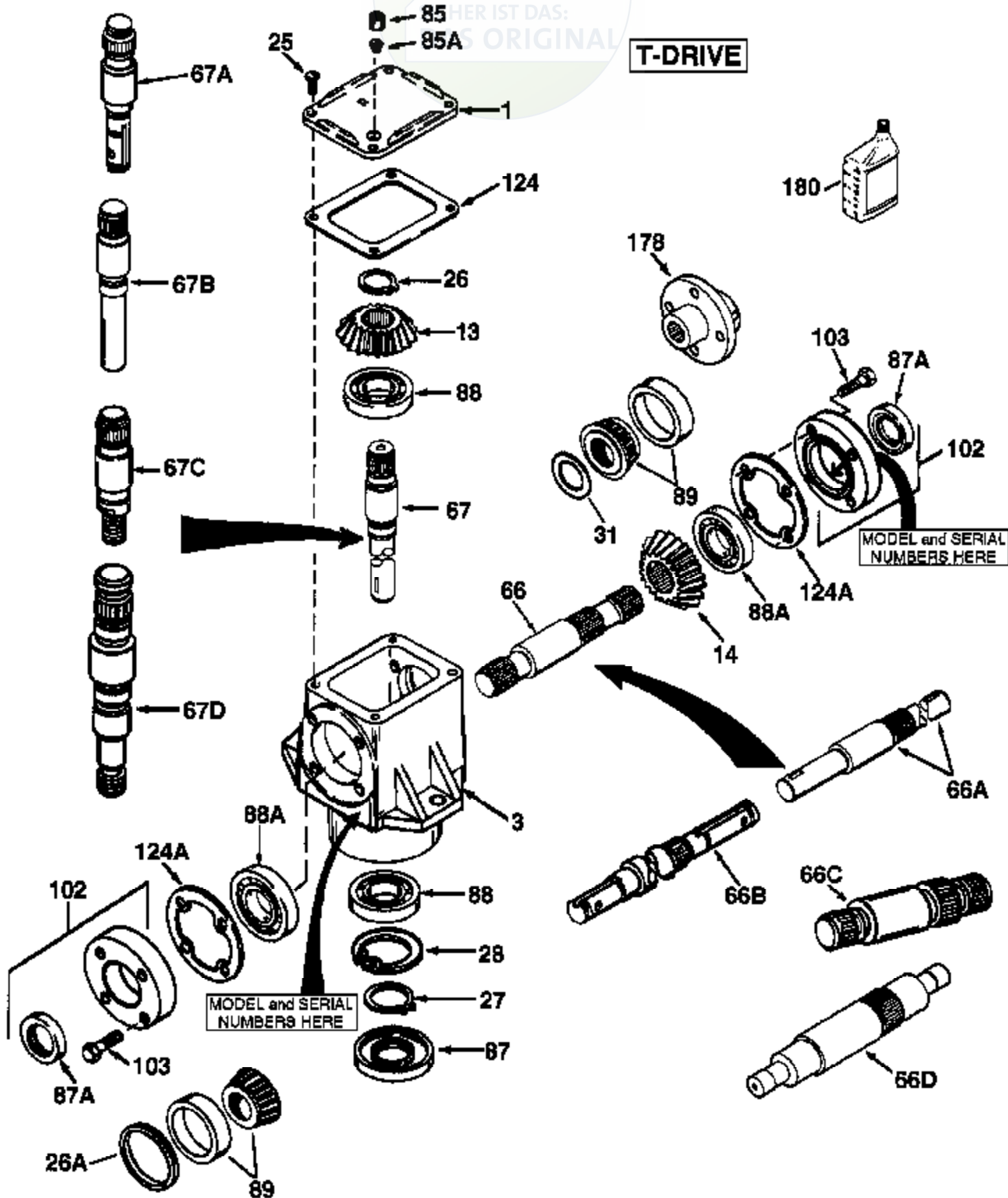


JOIST

WER IST DAS:
ORIGINAL

T-DRIVE





| Ref # | Part Number | Qty | Description |
|-------|-------------|---------------|-------------------------------------------|
| 1 | 772067 | | Cover |
| 3 | 770047A | | "T" Drive Housing |
| 13 | 778101A | | Miter Gear (17 teeth) (7/8" ID) |
| 14 | 778210A | | Miter Gear (17 teeth) (1" ID) |
| 25 | 792025 | | Screw, 10-24 x 1/2" |
| 26 | 788018 | | Retainer Ring |
| 27 | 788019 | | Retainer Ring |
| 66B | 776201 | | Input Shaft (8-1/2" long) |
| 67B | 776297 | | Output Shaft (20-1/2" long) |
| 85 | 792039 | | Pipe Plug, 1/8-27 (countersunk headle ss) |
| 87A | 788031 | | Oil Seal |
| 87 | 788029 | | Oil Seal |
| 88A | 780034 | 1000-1000-044 | Ball Bearing |
| 88 | 780034 | Peerless | Ball Bearing |
| 102 | 786029 | | Retainer Cap & Seal (Incl. 87A & 103) |
| 103 | 792026 | | Screw, 1/4-20 x 7/8" |
| 124A | 788030B | | Cap Gasket |
| 124 | 788028 | | Cover Gasket |
| 180 | 730229A | | Gear Oil 80W90 |